



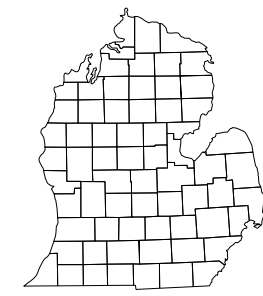
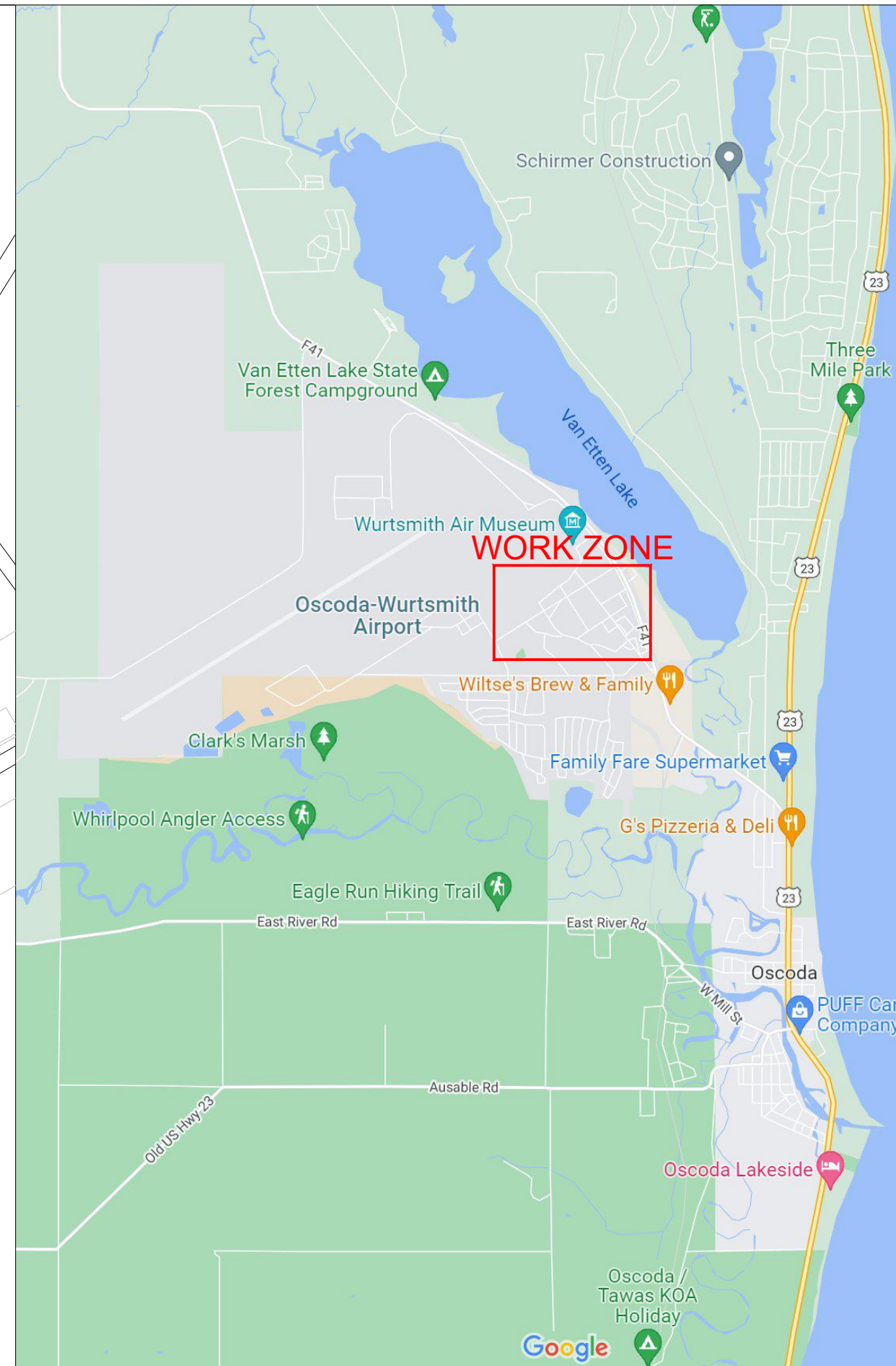
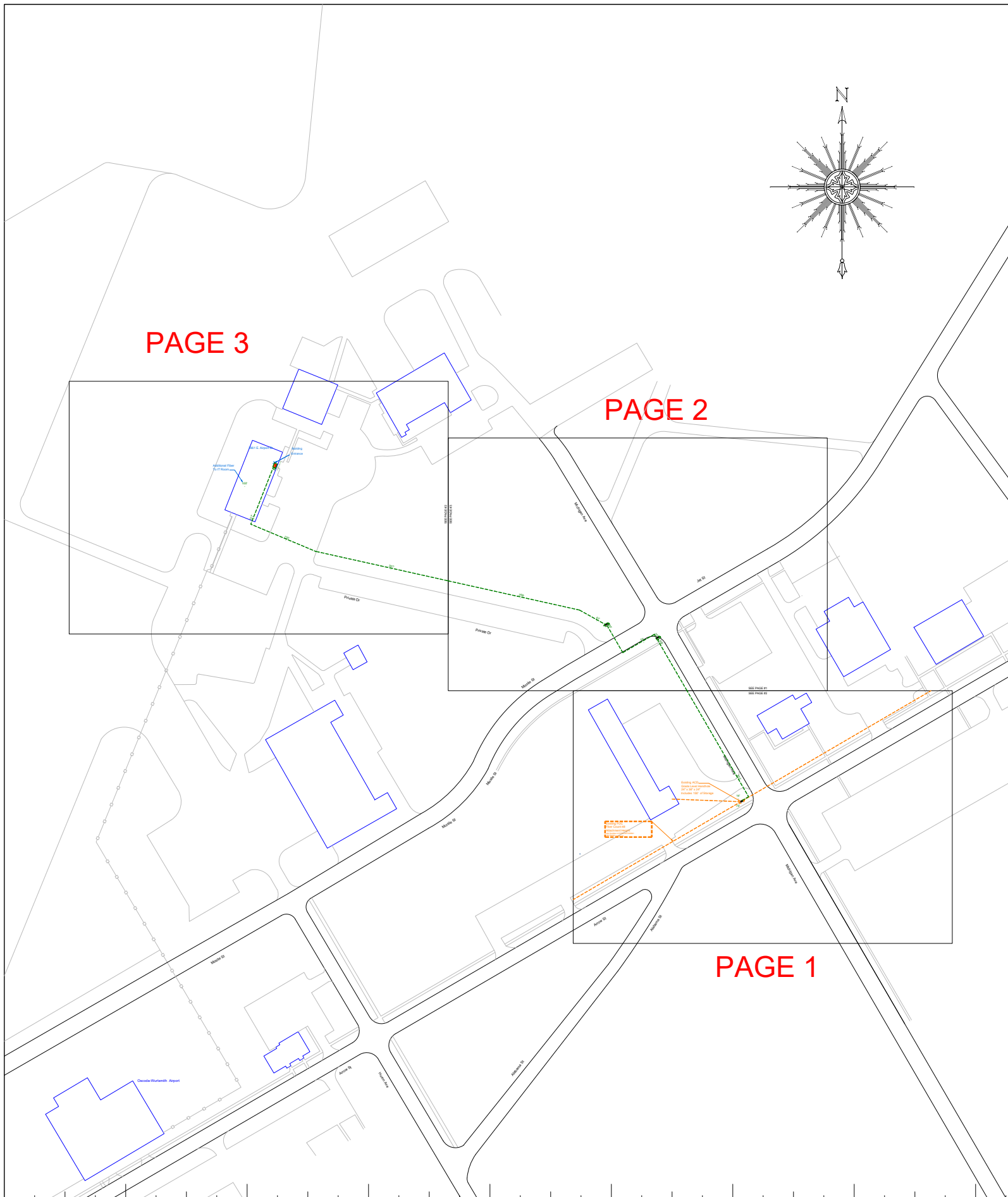
Communications & Data

KEPS Technologies, Inc. d/b/a ACD.net
FIBER OPTIC CABLE ROUTE

Project Number
LC016952FO036399

[517-999-9999](tel:517-999-9999)

1800 Grand River Ave
Lansing MI 48906



ACD.NET
 Advanced
 Communications & Data
 517-999-9999
 1800 Grand River Ave
 Lansing MI 48906

PROPRIETARY INFORMATION NOT FOR DISCLOSURE
 This Set of Plans contains confidential or proprietary information, and the recipient must not disclose, copy, re-create, or distribute the plans or the information contained therein, either directly or indirectly, to other entities or individuals without written or express permission from ACD.NET

DRAWING DISCLAIMER
 Facility Locations are general in nature, ACD.NET will not be held accountable for the accuracy of the information provided on these drawings. Contact the Local ONE CALL AGENCY 72 HOURS PRIOR TO CONSTRUCTION FOR EXACT UTILITY LOCATIONS AT:
 MISS DIG 1-800-482-7171 O.U.P.S. 1-800-362-2764 INDIANA811 1-800-382-5544
 CAD Standard Ver. 72919

Project Manager	
A. Heald	
Permitting	
A. Heald	
Transport Manager	
G. Gould	
Drawn By	Date
K. Ngo	4/28/22
As Built	Date

Revisions			
REV #	DESCRIPTION	BY	DATE
1	Changed To Dual Conduit	KN	5/6/22
2	Changed back to single conduit	DW	8/5/22

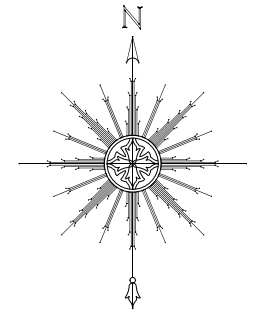
Exhibit: N/A

Remarks:		PEACHTREE ID: 36399	
SCALE: 1" = NTS	TRRS:		
COUNTY: Iosco	TOWNSHIP: Oscoda	CITY:	PROJECT ID: LC016952FO036399
			CUSTOMER NUMBER: 16952

GRID KEY

CONSTRUCTION NOTES

1. CONTRACTOR SHALL EMAIL HEALD.ALECIA@ACD.NET WITH DAILY STATUS UPDATES AND ONCE WORK IS COMPLETE
2. MUNICIPALITY MUST BE NOTIFIED AT LEAST 48 HOURS BEFORE ANY WORK COMMENCES
3. ALL APPROPRIATE PERMITS AND ASSOCIATED DRAWINGS SHALL BE ON-SITE AT ALL TIMES DURING CONSTRUCTION
4. NOTIFY THE APPROPRIATE UTILITY NOTIFICATION SERVICE 72 HOURS PRIOR TO CONSTRUCTION.
MICHIGAN- MISS DIG (1-800-482-1711), OHIO- O.U.P.S. (1-800-362-2764) OR INDIANA- INDIANA811 (1-800-382-5544)
5. ALL UTILITIES MUST BE FIELD VERIFIED
6. ALL HANDHOLES ARE TO INCLUDE 150' OF COILED FIBER FOR STORAGE
7. NEW INSTALLATION SHALL MAINTAIN 18" CLEARANCE FROM ALL EXISTING UTILITIES UNLESS NOTED OTHERWISE
8. ALL ROAD AND DRIVEWAY CROSSINGS WILL BE DIRECTIONAL BORED
9. CONSTRUCTION SHALL NOT DEVIATE FROM APPROVED PLANS WITHOUT WRITTEN CONSENT FROM BOTH THE MUNICIPALITY AND AN AUTHORIZED ACD.NET REPRESENTATIVE
10. PROPER SIGNAGE AND TRAFFIC CONTROL IS REQUIRED BEFORE STARTING ANY WORK WITHIN THE PUBLIC RIGHT OF WAY
11. ALL BACKFILL MATERIAL WITHIN THE ROAD RIGHT OF WAY OR NEAR SIDEWALKS AND PATHWAYS SHALL MEET THE REQUIREMENTS OF MDOT CLASS II MATERIAL, COMPACTED TO 95% OF ITS MAXIMUM DENSITY IN SUCCESSIVE LAYERS THAT ARE NO MORE THAN 12" THICK, UNLESS OTHERWISE AUTHORIZED
12. ALL SODDED AREAS THAT MAY DISTURBED DURING CONSTRUCTION ARE TO BE RESTORED WITH 3" QUALITY TOP SOIL, SEED AND MULCH
13. CONTRACTOR SHALL PROVIDE AS-BUILTS ON ALL WORK WITHIN 5 BUSINESS DAYS OF COMPLETION



ACD.NET
Advanced
Communications & Data
517-999-9999
1800 Grand River Ave
Lansing MI 48906

**PROPRIETARY
INFORMATION NOT FOR
DISCLOSURE**

This Set of Plans contains confidential or proprietary information, and the recipient must not disclose, copy, re-create, or distribute the plans or the information contained therein, either directly or indirectly, to other entities or individuals without written or express permission from ACD.NET

DRAWING DISCLAIMER

Facility Locations are general in nature, ACD.NET will not be held accountable for the accuracy of the information provided on these drawings. Contact the Local ONE CALL AGENCY 72 HOURS PRIOR TO CONSTRUCTION FOR EXACT UTILITY LOCATIONS AT:

MISS DIG 1-800-482-7171	O.U.P.S. 1-800-362-2764	INDIANA811 1-800-382-5544
----------------------------	----------------------------	------------------------------

CAD Standard Ver. 72919

Project Manager

A. Heald

Permitting

A. Heald

Transport Manager

G. Gould

Drawn By Date

K. Ngo 4/28/22

As Built Date

Revisions

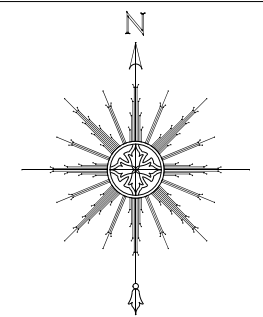
REV #	DESCRIPTION	BY	DATE
1	Changed To Dual Conduit	KN	5/6/22
2	Changed back to single conduit	DW	8/5/22

Exhibit: N/A

Remarks:			PEACHTREE ID: 36399		
SCALE: 1" = NTS		TRS:			
COUNTY: Iosco	TOWNSHIP: Oscoda	CITY:	PROJECT ID: LC016952FO036399	CUSTOMER NUMBER: 16952	

NOTES

Proposed Anchor Distance and Direction	Reg Sidewalk 	Fiber Count W/ Segment Number 	Man Hole 	Typical Line Types
Proposed ACD Communications Poles		Fiber Termination Point 	Storm Drain 	
Proposed ACD NON Communications Pole		ACD Splice Case Six Way 	ACD Regen Cabinet 	
Colocation Poles (ACD Communication Equipment on Existing Poles)		ACD Splice Case Four Way 	TRS Section Corner 	
Joint Use Pole NON Transformer		ACD Splice Case Three Way 	Fire Hydrant 	
Joint Use Pole Transformer		ACD Splice Case Two Way 	Location Address 	
Foreign Pole Indicator		ACD Fiber Tap Capsule 	Foliage 	
Joint Use Pole NON Transformer- UNUSED		ACD RE-Box 	Centerline Marker 	
Joint Use Pole Transformer- UNUSED		Foreign Splice Case 	Station Marker 	
Street Light		Storage Loop w/ Footage and Segment 	Use of Double Dead End 	
Existing Traffic Signal Pole		ACD Buried Cable Marker 		
Pole Number Marker		ACD Hand Hole 17" x 12" 		
Proposed Riser		ACD Hand Hole 24" x 13" 		
Make Ready Symbol w/ Attachment and Sag Heights		ACD Hand Hole 24" x 36" 		
Down Ground		ACD Hand Hole 30" x 48" 		
Bonding Clamp		Foreign Hand Hole 		
Fiber Overlash		Proposed Bore Pit Location 		
Overhead Guy Marker		Communications Tower 		
Span Length and Segment ID				



ACD.NET
Advanced
Communications & Data
517-999-9999
1800 Grand River Ave
Lansing MI 48906

PROPRIETARY
INFORMATION NOT FOR DISCLOSURE
This Set of Plans contains confidential or proprietary information, and the recipient must not disclose, copy, re-create, or distribute the plans or the information contained therein, either directly or indirectly, to other entities or individuals without written or express permission from ACD.NET

DRAWING DISCLAIMER
Facility Locations are general in nature, ACD.NET will not be held accountable for the accuracy of the information provided on these drawings. Contact the Local ONE CALL AGENCY 72 HOURS PRIOR TO CONSTRUCTION FOR EXACT UTILITY LOCATIONS AT:
M.I.S.S. DIG 1-800-482-7171 O.U.P.S. 1-800-362-2764 INDIANA811 1-800-382-5544
CAD Standard Ver. 72919

Project Manager

A. Heald

Permitting

A. Heald

Transport Manager

G. Gould

Drawn By **Date**

K. Ngo 4/28/22

As Built **Date**

Revisions

REV #	DESCRIPTION	BY	DATE
1	Changed To Dual Conduit	KN	5/6/22
2	Changed back to single conduit	DW	8/5/22

Our Match Lines can be found in the lower right hand corner and represents the neighboring page numbers.

WEST PAGE	NORTH PAGE	EAST PAGE
	PAGE	
	SOUTH PAGE	

Exhibit: N/A

Remarks:			PEACHTREE ID: 36399		
SCALE: 1" = NTS	TRRS:				
COUNTY: Iosco	TOWNSHIP: Oscoda	CITY:	PROJECT ID: LC016952FO036399	CUSTOMER NUMBER: 16952	
					SYMBOLS
					LEGEND

General Site Preparation For Installing Hand Holes (All Sizes)

These guidelines for installing ACD Hand holes are provided as a general guide and actual site conditions may warrant the use of additional installations procedures not covered here. Follow all project specifications when installing ACD Hand holes.

1. Excavate the earth approximately 12" wider and longer than the hand hole as well as 6" deeper than the depth of the hand hole. Fill the excavation with a 6" base of pea stone or crushed rock to ensure proper drainage. Tamping is recommended to provide a compact and level surface for the hand hole to be placed upon.
2. Wood bracing should be used inside the hand hole to ensure minimal sidewall deflection when backfilling. Temporary bracing can be constructed out of construction grade lumber. Start by using (1) 2x4 to brace the end walls and (2) 2x4s to brace the side walls, finish with (1) 2x4 from one side of the ring to the other. Do not install the bracing too tight to prevent damage.
3. Lift the Hand hole into the excavation using the lifting bolts or lifting wires. Check the top of the box is flush with the finished grade. Any necessary adjustments should be made to bring it to finished grade.
4. Backfill with clean, loose soil and compact to a minimum of 90%-95% compaction. Remove bracing materials and secure cover using included hardware.

General Hand Hole Notes (All Sizes)

1. All Hand holes are to contain 150' of coiled up storage.
2. All Conduits are to be brought up through the bottom of the hand hole. No Conduits are to penetrate the sides of the enclosure. All conduits are to be tagged with the colored zip ties following this system:
 Red= Riser
 Blue= North
 Yellow= West
 Green= South
 Black= East
3. All Hand holes are to contain a 5/8" DIA x 8' grounding rod to be placed in a corner 3" away from each side and 18" above tamped earth.

Underground Coupler Detail

PUSH2CONNECT™ Coupler

Do Not Unscrew!

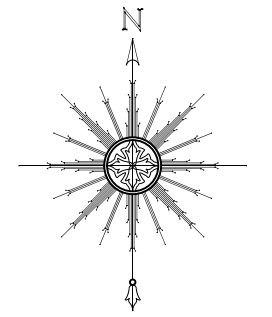
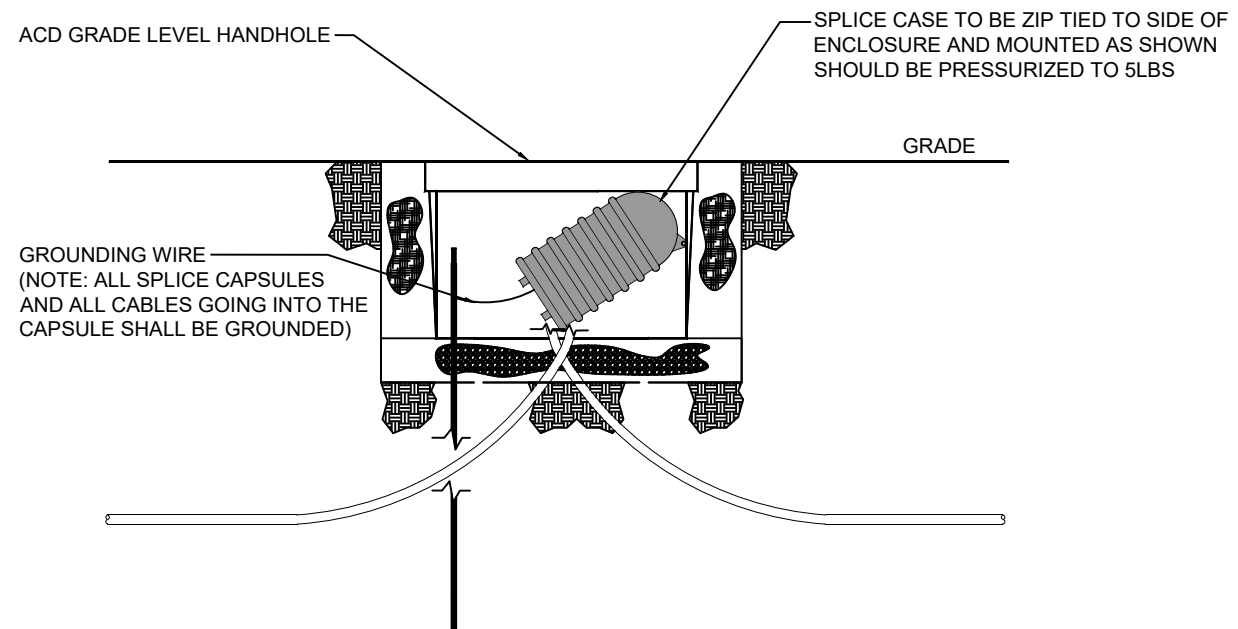
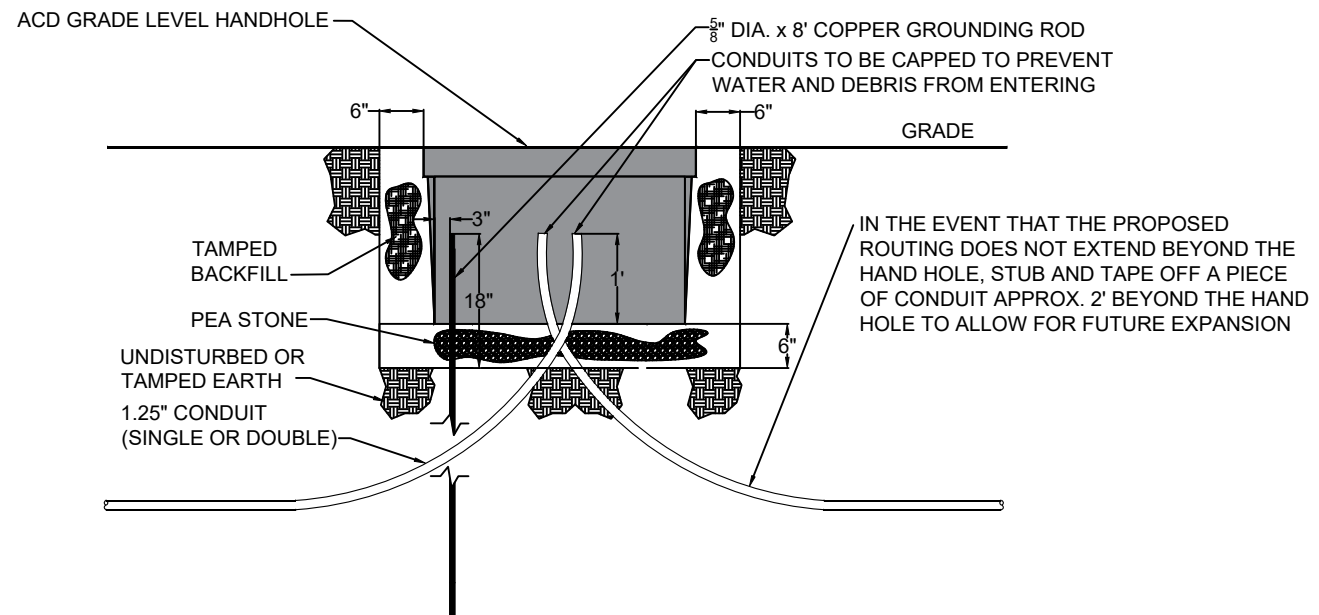
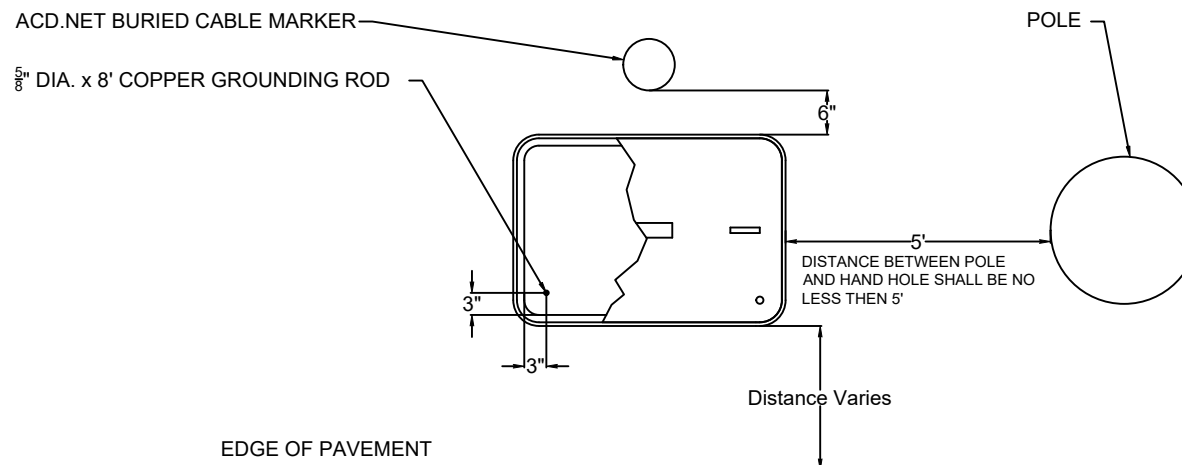


Push-On-Only!

(Loosening collars prior to installing can cause improper installation, create air loss, or coupler failure)

Air Tight - Water Tight
 Tested to **GREATER THAN 1500#**
Pull-Out
GREATER THAN 450 (psi) air pass-through

Couplers for the Following Sizes	Duct OD	Color	Box Qty	Part Number
1" Smoothwall HDPE	1.315	Yellow	85	P2C-1.315
1.25" Smoothwall HDPE	1.66"	Blue	100	P2C-1.66
1.25" Smoothwall HDPE True Sized	1.58"	Black	100	P2C-1.58
2" Smoothwall HDPE	2.375"	Orange	24	P2C-2.375
Transition Coupler 1.25" to 1.25"	1.58" to 1.66"	Black AND Blue	100	P2C-1.66-1.58trans



ACD
 Advanced
 Communications & Data
 517-999-9999
 1800 Grand River Ave
 Lansing MI 48906

PROPRIETARY
 INFORMATION NOT FOR
 DISCLOSURE

This Set of Plans contains confidential or proprietary information, and the recipient must not disclose, copy, re-create, or distribute the plans or the information contained therein, either directly or indirectly, to other entities or individuals without written or express permission from ACD.NET

DRAWING DISCLAIMER

Facility Locations are general in nature, ACD.NET will not be held accountable for the accuracy of the information provided on these drawings. Contact the Local ONE CALL AGENCY 72 HOURS PRIOR TO CONSTRUCTION FOR EXACT UTILITY LOCATIONS AT:

MISS DIG 1-800-482-7171	O.U.P.S. 1-800-362-2764	INDIANA811 1-800-382-5544
----------------------------	----------------------------	------------------------------

CAD Standard Ver. 7.2919

Project Manager

A. Heald

Permitting

A. Heald

Transport Manager

G. Gould

Drawn By **Date**

K. Ngo 4/28/22

As Built **Date**

Revisions

REV #	DESCRIPTION	BY	DATE
1	Changed To Dual Conduit	KN	5/6/22
2	Changed back to single conduit	DW	8/5/22

Exhibit: N/A

Remarks:	PEACHTREE ID: 36399
SCALE: 1" = NTS	TRIS:
COUNTY: Iosco	TOWNSHIP: Oscoda
CITY:	PROJECT ID: LC016952FO036399
	CUSTOMER NUMBER: 16952
	HANDHOLE INSTALL
	DETAIL

SEE PAGE #2

PROPOSED DIRECTIONAL BORING
 (1) 1.25" Conduit
 48" Standard Depth
 12" Clearance Of All Utilities

66' ROW
 33' ROW

32'
 1'
 16'

Soil Sample Area (TYP.)

Existing ACD
 Grade Level Handhole
 24" x 36" x 24"
 Includes 150' of Storage

T24N R9E S21

T24N R9E S28

33' ROW
 66' ROW

Existing FOC
 Fiber Count: 48
 Attachment Height:
 Job Number: LC078376FO33641
 Job Name: Kalitta Air

Leave 75'
 For Splice

EXISTING UG
 SPLICE

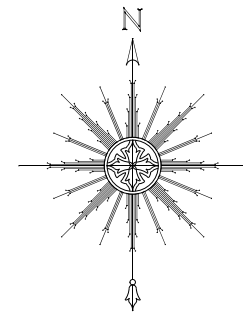
F: 24
 S: 1

F: 24
 S: 2

Arrow St

Alabama St

Michigan Ave



Communications & Data
 517-999-9999
 1800 Grand River Ave
 Lansing MI 48906

PROPRIETARY
INFORMATION NOT FOR
DISCLOSURE

This Set of Plans contains confidential or proprietary information, and the recipient must not disclose, copy, re-create, or distribute the plans or the information contained therein, either directly or indirectly, to other entities or individuals without written or express permission from ACD.NET

DRAWING DISCLAIMER

Facility Locations are general in nature, ACD.NET will not be held accountable for the accuracy of the information provided on these drawings. Contact the Local ONE CALL AGENCY 72 HOURS PRIOR TO CONSTRUCTION FOR EXACT UTILITY LOCATIONS AT:

MISS DIG 1-800-482-7171	O.U.P.S. 1-800-362-2764	INDIANA811 1-800-382-5544
----------------------------	----------------------------	------------------------------

CAD Standard Ver. 72919

Project Manager

A. Heald

Permitting

A. Heald

Transport Manager

G. Gould

Drawn By **Date**

K. Ngo 4/28/22

As Built **Date**

Revisions

REV #	DESCRIPTION	BY	DATE
1	Changed To Dual Conduit	KN	5/6/22
2	Changed back to single conduit	DW	8/5/22

APPROVED FOR CONSTRUCTION

PCNAME
 Project Manager

PCDATE
 Approved Date

MCNAME
 Microcell Manager

MCDATE
 Approved Date

If plans are older than 7 days from the above date, please contact the listed Project Manager to verify accuracy

Exhibit: N/A

Remarks:

PEACHTREE ID: 36399

SCALE: 1" = 50'

TRS: T24N R9E S21

T24N R9E S28

PAGE 1

COUNTY: Iosco

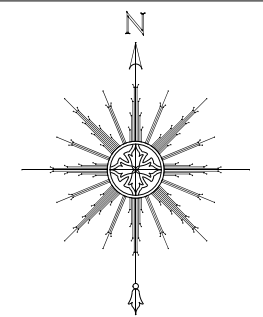
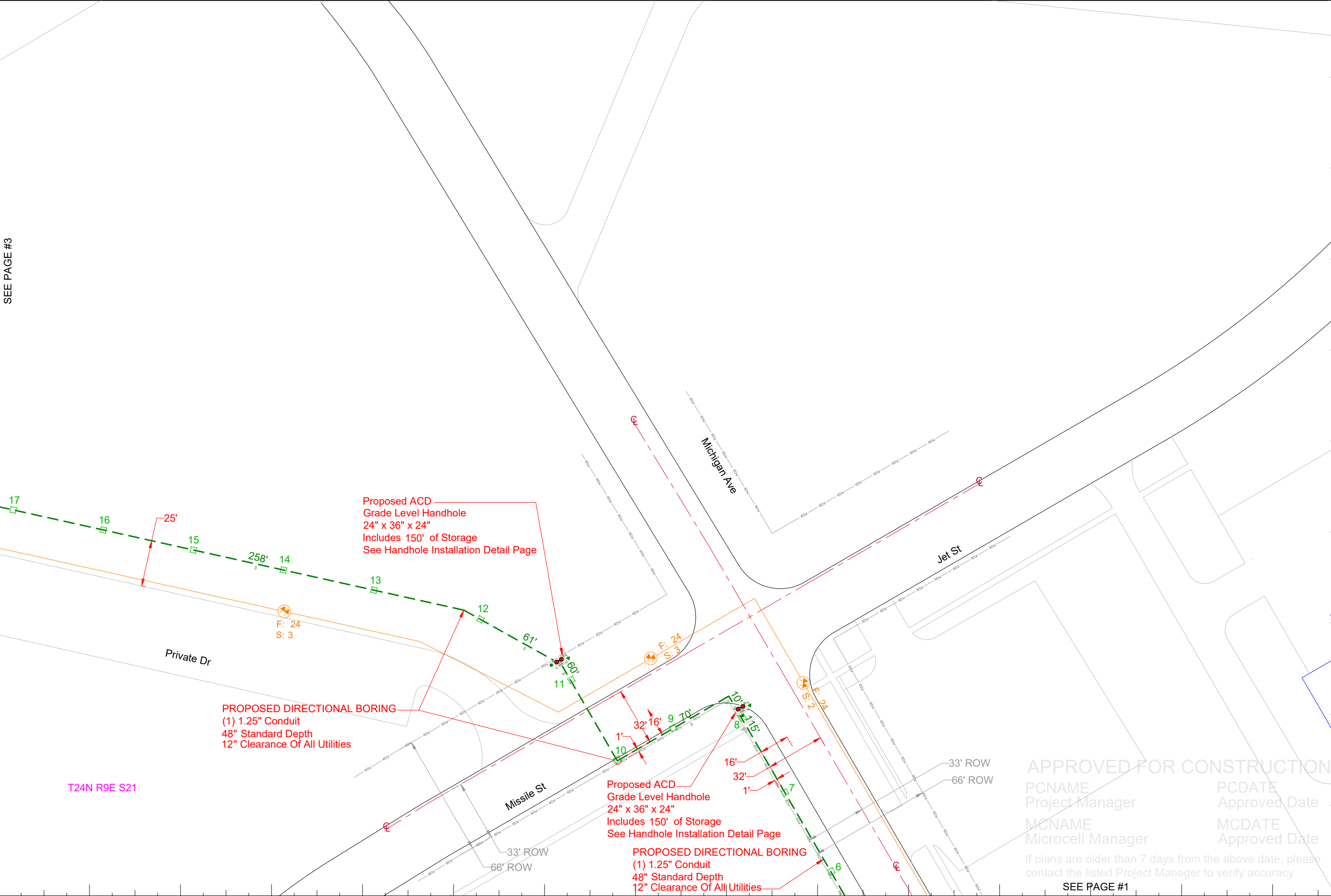
TOWNSHIP: Oscoda

CITY:

PROJECT ID: LC016952FO36399

CUSTOMER NUMBER: 16952

SEE PAGE #3



ACD_{NET}
 Advanced
 Communications & Data
 517-999-9999
 1800 Grand River Ave
 Lansing MI 48906

PROPRIETARY
INFORMATION NOT FOR DISCLOSURE
 This Set of Plans contains confidential or proprietary information, and the recipient must not disclose, copy, re-create, or distribute the plans or the information contained therein, either directly or indirectly, to other entities or individuals without written or express permission from ACD.NET

DRAWING DISCLAIMER
 Facility Locations are general in nature, ACD.NET will not be held accountable for the accuracy of the information provided on these drawings.
 Contact the Local ONE CALL AGENCY 72 HOURS PRIOR TO CONSTRUCTION FOR EXACT UTILITY LOCATIONS AT:
 MISS DIG 1-800-482-7171 O.U.P.S. 1-800-362-2764 INDIANA811 1-800-382-5544
 CAD Standard Ver. 72919

Project Manager

A. Heald

Permitting

A. Heald

Transport Manager

G. Gould

Drawn By Date

K. Ngo 4/28/22

As Built Date

Revisions

REV #	DESCRIPTION	BY	DATE
1	Changed To Dual Conduit	KN	5/6/22
2	Changed back to single conduit	DW	8/5/22

APPROVED FOR CONSTRUCTION
 PCNAME Project Manager PCDATE Approved Date
 MCNAME Microcell Manager MCDATE Approved Date
 If plans are older than 7 days from the above date, please contact the listed Project Manager to verify accuracy

SEE PAGE #1

Exhibit: N/A

Remarks: PEACHTREE ID: 36399

SCALE: 1" = 50' TRS: T24N R9E S21

COUNTY: Iosco TOWNSHIP: Oscoda CITY: PROJECT ID: LC016952FO36399 CUSTOMER NUMBER: 16952

